

Model Number

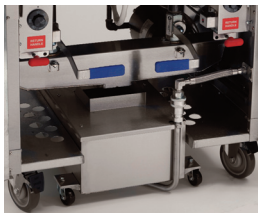
IFSSP250E	IFSSP250EU
IFSSP350E	IFSSP350EU
IFSSP450E	IFSSP450EU
IFSSP550E	IFSSP550EU
IFSSP650E	IFSSP650EU
IFSSP275E	IFSSP275EU
IFSSP375E	IFSSP375EU
IFSSP475E	IFSSP475EU
IFSSP575E	IFSSP575EU
IFSSP675E	IFSSP675EU

Add suffix "T" for Electronic Thermostat

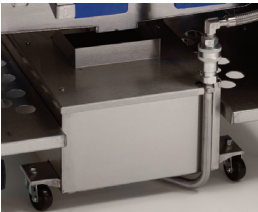
Add suffix "C" for Computer Controls

Suffix "E" denotes Immersed Elements

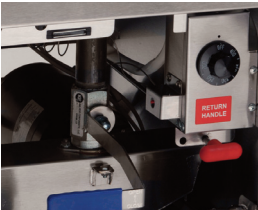
Suffix "EU" denotes Tilt-up Elements



Filter is located under fryers to save valuable space.



Filter pan is designed for maximum oil return.



5.5 GPM, 1/3 HP roller pump speeds up filtering process.



IFSSP250 EU

FILTER PACKAGE CHOICES - Up to six fryers can be battered into one fryer / filter system.

- Available for 50 and 75 lb. (27 and 41 Liters) oil capacity fryers.
- Available with Snap Action Thermostats, Electronic Thermostats or Computer Controls

LOCATED UNDER FRYERS - Filter location under fryers saves valuable space.

- Internally plumbed oil drain and return line.

UNIQUE FILTER PAN DESIGN - Filter pan is designed for maximum oil return.

- Stainless steel construction is easy to clean and has a professional look.
- Positive-latching filter paper holder holds paper in place for optimal filtration.
- Quick disconnect connection offers quick and safe connection of the filtered oil back into the frypots.
- All oil drain and return lines are internally plumbed for convenience and safety.

ROLLER-PUMP - Up to six fryers can be battered into one fryer / filter system.

- 5.5 GPM pump with a 1/3 HP motor speeds up filtering process.
- Can pump oil into a disposal vat up to 20 feet away.

EXTERIOR FEATURES - Continuous cabinet provides a professional look.

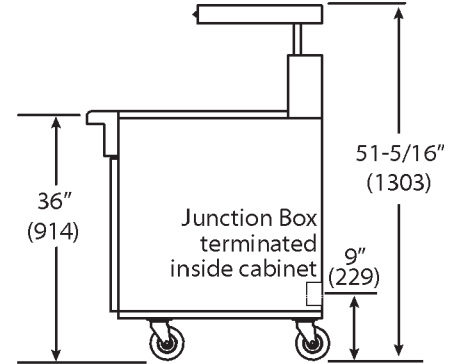
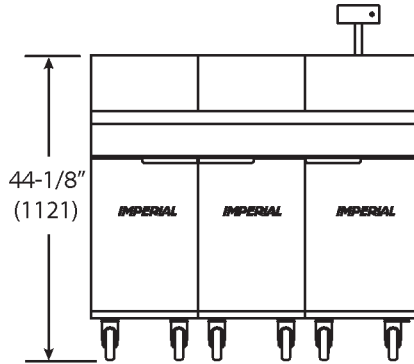
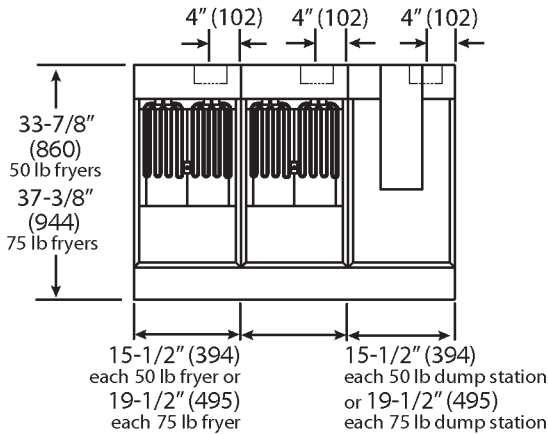
- 5" (127 mm) deep continuous stainless steel front landing ledge.
- Stainless steel precision welded frypot.
- Includes casters, joiner strips and filter starter kit.





ELECTRIC FRYER/FILTERS SPACE SAVER FILTER SYSTEMS

IMPERIAL®



MODEL	FRYER OIL CAPACITY	FRYER DEPTH	NUMBER OF FRYERS	SHIP WEIGHT (KG)	LBS
IFSSP250E	50 lbs. (41 L)	30" (762 mm)	2	(252)	556
IFSSP250EU	50 lbs. (41 L)	30" (762 mm)	2	(252)	556
IFSSP350E	50 lbs. (41 L)	30" (762 mm)	3	(367)	809
IFSSP350EU	50 lbs. (41 L)	30" (762 mm)	3	(367)	809
IFSSP450E	50 lbs. (41 L)	30" (762 mm)	4	(482)	1,062
IFSSP450EU	50 lbs. (41 L)	30" (762 mm)	4	(482)	1,062
IFSSP550E	50 lbs. (41 L)	30" (762 mm)	5	(596)	1,315
IFSSP550EU	50 lbs. (41 L)	30" (762 mm)	5	(596)	1,315
IFSSP650E	50 lbs. (41 L)	30" (762 mm)	6	(711)	1,568
IFSSP650EU	50 lbs. (41 L)	30" (762 mm)	6	(711)	1,568
IFSSP275E	75 lbs. (51 L)	34" (864 mm)	2	(268)	590
IFSSP275EU	75 lbs. (51 L)	34" (864 mm)	2	(268)	590
IFSSP375E	75 lbs. (51 L)	34" (864 mm)	3	(390)	860
IFSSP375EU	75 lbs. (51 L)	34" (864 mm)	3	(390)	860
IFSSP475E	75 lbs. (51 L)	34" (864 mm)	4	(513)	1,130
IFSSP475EU	75 lbs. (51 L)	34" (864 mm)	4	(513)	1,130
IFSSP575E	75 lbs. (51 L)	34" (864 mm)	5	(635)	1,400
IFSSP575EU	75 lbs. (51 L)	34" (864 mm)	5	(635)	1,400
IFSSP675E	75 lbs. (51 L)	34" (864 mm)	6	(758)	1,670
IFSSP675EU	75 lbs. (51 L)	34" (864 mm)	6	(758)	1,670

Measurements in () are metric equivalents.

MODEL	OVERALL DIMENSIONS	CRATED DIMENSIONS
IFSSP250-OP	31" w x 36-1/2" d x 36" h* (787 x 927 x 914 mm)	32-1/2" w x 39" d x 49-1/2" h (826 x 991 x 1,257 mm)
IFSSP350-OP	46-1/2" w x 36-1/2" d x 36" h* (1,181 x 927 x 914 mm)	48" w x 39" d x 49-1/2" h (1,219 x 991 x 1,257 mm)
IFSSP450-OP	62" w x 36-1/2" d x 36" h* (1,575 x 927 x 914 mm)	63-1/2" w x 39" d x 49-1/2" h (1,613 x 991 x 1,257 mm)
IFSSP550-OP	77-1/2" w x 36-1/2" d x 36" h* (1,969 x 927 x 914 mm)	79" w x 39" d x 49-1/2" h (2,007 x 991 x 1,257 mm)
IFSSP650-OP	93" w x 36-1/2" d x 36" h* (2,362 x 927 x 914 mm)	94-1/2" w x 39" d x 49-1/2" h (2,400 x 991 x 1,257 mm)
IFSSP275-OP	39" w x 40-1/2" d x 36" h* (911 x 1,029 x 914 mm)	40-1/2" w x 43" d x 49-1/2" h (1,029 x 1,092 x 1,257 mm)
IFSSP375-OP	58-1/2" w x 40-1/2" d x 36" h* (1,486 x 1,029 x 914 mm)	60" w x 43" d x 49-1/2" h (1,524 x 1,092 x 1,257 mm)
IFSSP475-OP	78" w x 40-1/2" d x 36" h* (1,981 x 1,029 x 914 mm)	79-1/2" w x 43" d x 49-1/2" h (2,019 x 1,092 x 1,257 mm)
IFSSP575-OP	97-1/2" w x 40-1/2" d x 36" h* (2,477 x 1,029 x 914 mm)	99" w x 43" d x 49-1/2" h (2,515 x 1,092 x 1,257 mm)
IFSSP675-OP	117" w x 40-1/2" d x 36" h* (2,972 x 1,029 x 914 mm)	118-1/2" w x 43" d x 49-1/2" h (3,010 x 1,092 x 1,257 mm)

* Working height

FILTER ELECTRICAL REQUIREMENT

VOLTS	PHASE	HERTZ	AMPS
115 V	1	60	6.8 amps

6ft. (1829 mm) power cord with 3 prong plug provided

ELECTRICAL REQUIREMENT PER FRYER

MODEL	VOLTS	PHASE	HERTZ	AMPS
50 lbs.	208	3	60	42.38
50 lbs.	240	3	60	36.73
50 lbs.	480	3	60	18.36
75 lbs.	208	3	60	50.02
75 lbs.	240	3	60	43.35
75 lbs.	480	3	60	21.68

* For export only

CLEARANCE REQUIREMENTS

For use only on non-combustible floors. Legs or casters are required for non-combustible floors. Provide 0" clearance from non-combustible surfaces and 6" (152 mm) from combustible surfaces.

OPTIONS AND ACCESSORIES

- Automatic basket lifts with computerized controls
- Manual controlled basket lifts
- Stainless steel tank cover
- Stainless steel side drain shelf
- Stainless steel side splash
- Manual timer
- Filter paper, 40# thickness, 20 microns
100 sheets per box

