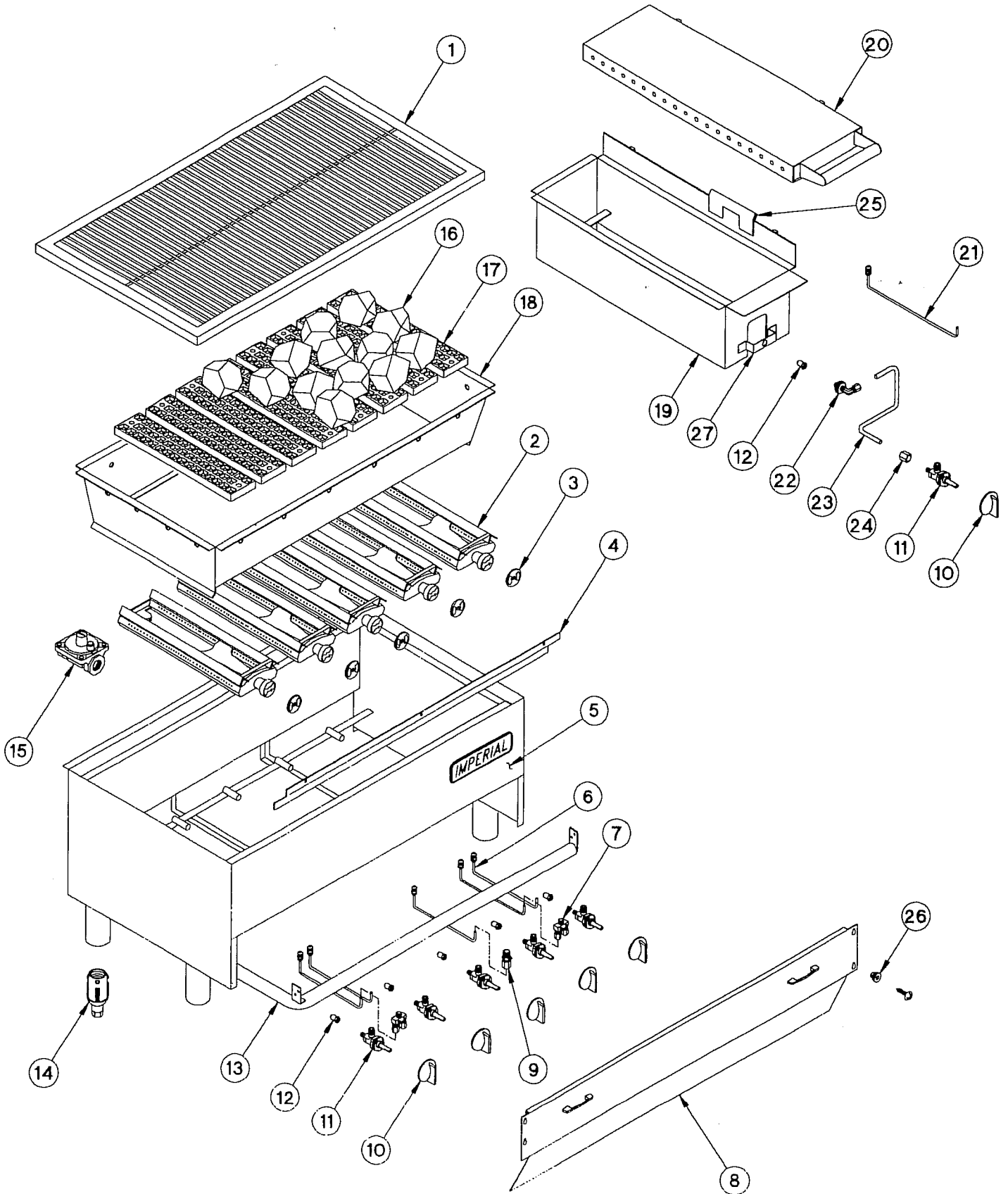


ICB-CHICKEN BROILER

REPLACEMENT PARTS FOR ALL ICB MODELS



ICB SERIES CHICKEN BROILERS

ITEM NO	DESCRIPTION	PART #	4827	6027	4836	6036
1	Top Grate ICB 4827 48" X 27"	27010	1			
	Top Grate ICB 6027 60" X 27"	27011		1		
	Top Grate ICB 4836 48" X 36"	27012			1	
	Top Grate ICB 6036 60" X 36"	27013				1
	Top Grate Sandwich Adapter Kit 12" X 27"	27014	1	1		
	Top Grate Sandwich Adapter Kit 12" X 36"	27015			1	1
	Top Grate Sandwich Adapter Kit 36" X 27"	27016	1	1		
	Top Grate Sandwich Adapter Kit 36" X 36"	27017			1	1
	Top Grate Sandwich Adapter Kit 21" X 36"	27018			1	1
2	Small Burner W / Air Shutter	11050	5	6		
	Large Burner W / Air Shutter	27050			5	6
3	Air Shutter Only	1007	5	6	5	6
4	Burner Baffle 48"	27020	1		1	
	Burner Baffle 60"	27021		1		1
5	Front Cover 48"	27025	1		1	
	Front Cover 60"	27026		1		1
6	Pilot Burner	10000-9	5	6	5	6
	Ferrel 3/16"	30280	5	6	5	6
	Compression Nut 3/16"	30277	5	6	5	6
7	Double Pilot Adjustable Valve - Brass	1003	2	3	2	3
8	Heat Cover W / Handle (S/S) 48"	27030	2		2	
	Heat Cover W / Handle (S/S) 60"	27031		2		2
	Handle Only	1090	2	2	2	2
9	Single Pilot Adjustable Valve - Brass	1607	1		1	
10	Knob	2721	5	6	5	6
11	Gas Valve	1610	5	6	5	6
12	Burner Orifice - NAT.	2060	5	6	5	6
	Burner Orifice - L.P.	2064	5	6		
	Burner Orifice - L.P.	2072			5	6
13	Manifold Pipe 48"	27036	1		1	
	Manifold Pipe 60"	27037		1		1
14	Adjustable Foot	1045	4	4	4	4
15	Gas Pressure Regulator 3/4" - NAT.	1050	1	1	1	1
	Gas Pressure Regulator 3/4" - L.P.	1051	1	1	1	1
16	Char-Rock - 20 Lbs. Box	8092	2	2	2	2
17	Bottom Grate - Cast Iron 4" X 20"	1222	8	10	8	10
	Bottom Grate - Cast Iron 4" X 30"	1224	N/A	N/A	N/A	N/A
18	Liner 48" X 27"	27040	1			
	Liner 60" X 27"	27041		1		
	Liner 48" X 36"	27042			1	
	Liner 60" X 36"	27043				1
	Sandwich Adapter Kit For 48" X 27"Or 60" X 27"	27060	1	1		
	Sandwich Adapter Kit For 48" X 36"Or 60" X 36"	27061			1	1
19	Liner 12" X 27"	27062	1	1		
	Liner 12" X 36"	27063			1	1
	Liner 21" X 36"	27044			1	1
20	Lid (S/S) W / Wood Handle L Or R 12" X 27"	27070	1	1		
	Lid (S/S) W / Wood Handle L Or R 12" X 36"	27071			1	1
	Lid (S/S) W / Wood Handle L Or R 21" X 36"	27072			1	1
21	Pilot Burner	10000-18	5	6	5	6
	3/16" Ferrel	30280	2	2	2	2
	3/16" Compression Nut	30277	2	2	2	2
22	Orifice Elbow 90	37188	1	1	1	1
23	Tubing 3/8"	2102-01	1	1	1	1
24	Adapter (Used W / Part # 1610)	30286	1	1	1	1
25	Sandwich Cover Stop	27064	2	2	2	2
26	Spacer W / Screw For ICB Reflector	27066	4	4	4	4
27	Bracket For Sandwich Adaptor	27065	1	1	1	1